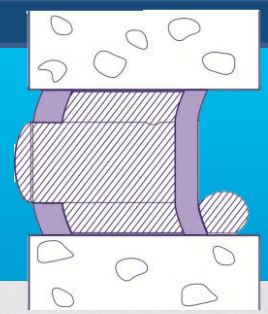


FILOform

MDIV



Filoform duct sealing systems have been developed to provide an effective gas and watertight seal of underground cable penetrations.

When installing our duct sealing system MDIV, you will protect valuables from damage which is caused by gas and water leaks.

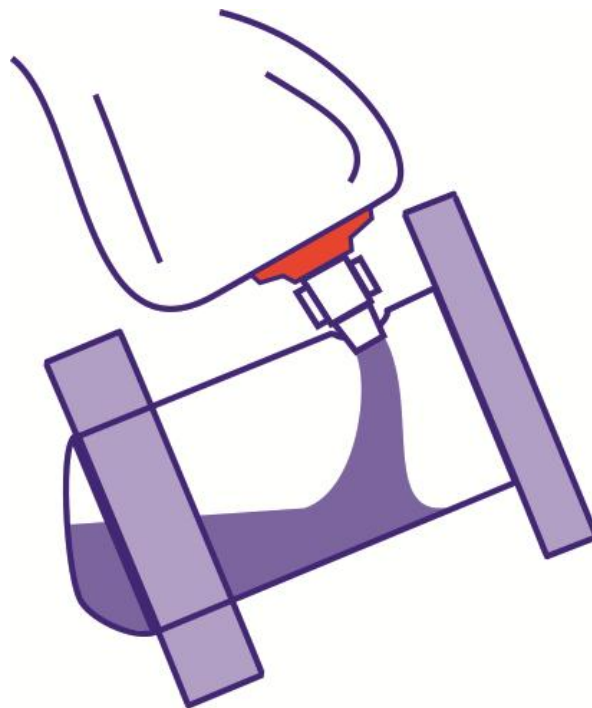
connect ▶ seal ▶ protect ▶



Filoform duct seals type MD are based on a specially formulated two-component expanding polyurethane resin. The polyurethane sealant is packed in a transparent plastic bag with a screw ring. In this plastic bag, the two components are separated by a clamping profile. After removal of the clamping profile, the two components are simply mixed together for 30 seconds.

The package is now ready for use and can be easily opened with the use of the screw nipple. After pouring the resin in the duct, the resin starts expanding by forming CO². During the expansion the polyurethane filling material penetrates all areas inside the duct, thus sealing all openings regardless of the shape of the duct or borehole. After this the hardening process starts.

The Filoform two component filler provides not only a 100% gas and watertight seal but also offers excellent mechanical strength.



connect ▶ seal ▶ protect ▶

Sealing system type MDIV has been developed to create an effective gas and watertight seal of ducts that have no cables or pipes installed.

The sealing system type MDIV consists of a foam ended hollow clear tube, and a safe to use twin pack containing our specially formulated expanding polyurethane filler.

This polyurethane filler is injected in the centre of the hollow tube, which then the seal needs to be pushed and positioned in the duct / bore hole. The polyurethane filler will expand thus sealing the duct against water and gas.

If the duct needs to be utilised at a later date then the MDIV can be removed easily by using a sharp cutting tool. The duct can then be re-sealed by using either of our sealing systems.

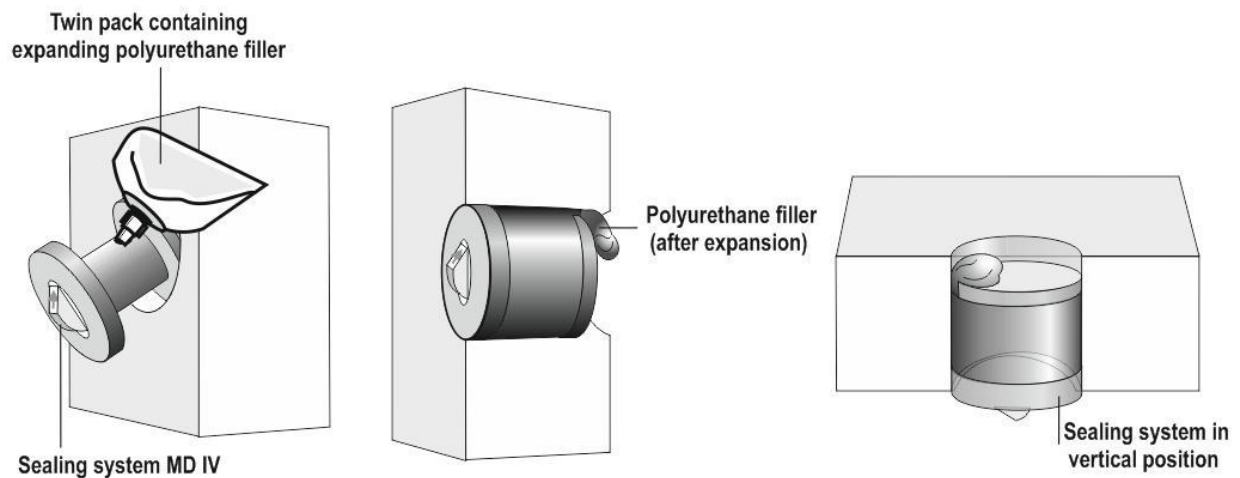
The sealing system MDIV can also be used for sealing vertical ducts.



connect ▶ seal ▶ protect ▶

Product overview

Part Number	Description	Duct diameter from-to (mm)
80301	MDIV-1 duct sealing kit	Ø 75 – 95
80321	MDIV-3 duct sealing kit	Ø 95 – 125
80331	MDIV-4 duct sealing kit	Ø 125 – 160



Set contents

- ▶ Coil shaped unit
- ▶ Expanding polyurethane filler
- ▶ Screw nipple
- ▶ Set protective gloves
- ▶ Sandpaper
- ▶ Installation instruction

connect ▶ seal ▶ protect ▶

Specifications

Properties	Unit	Value
Start time expansion	seconds	> 95
End time expansion	minutes	15
Compressive strength	N / cm ²	> 100
Gas and water tightness 1,0bar	30 days	no leakage
Density 10m water column	30 days	no leakage
Volume consistency	cube 10 x 10cm	no change
temperature Cycles, -20°C tot +40°C	10 consecutive cycles	no leakage
Vibration test 10 Hz/amplitude 3mm	240 hours	no leakage
axial tensile force	diameter x 10 N	no leakage
Resistance to bending	cables 45° in 2 directions >250mm	no leakage
Expansion polyurethane foam in pipe	cm	< 40
Chemical resistance		
0,1N Na ₂ SO ₄	30 days	no degradation
0,1N NaCl	30 days	no degradation
0,1N H ₂ SO ₄	30 days	no degradation
0,1N NaOH	30 days	no degradation
Diesel	30 days	no degradation
Gasonline	30 days	no degradation
Resistance		
Molds		good
Rodents		good
Shelf life	months	minimal 18

Installation video



<http://vimeo.com/39582780>

connect ► seal ► protect ►